

ALARM SWITCHBOARDS IC/SM

FEATURES

- The IC/SM Alarm Switchboard enables one operator to monitor equipment functions or environmental conditions of remote equipment.
- The switchboard may be connected to mechanical, electrical, electronic, electromechanical, and environment-sensing equipment.
- The number of functions and/or conditions that may be monitored depends upon the number of alarm modules ordered.
- Lines connected to the common alarm detection circuit and to the common supervisory detection circuit permit normally open or normally closed connection to remote equipment. Any alarm or supervisory condition at the alarm switchboard activates remote signals or emergency equipment.
- Each switchboard contains ground detection circuits and indicator lamps on the common panel.
- Three unfused power lines may be connected to remote indicator lamps that go off if power to the alarm generator is disrupted.
- Each alarm module provides a visual display and a switch to control the operation of the module and sensing circuit condition at STANDBY, NORMAL, TEST, and CUTOUT.

DESIGN SPECIFICATIONS

MIL-A-17196

TECHNICAL MANUAL

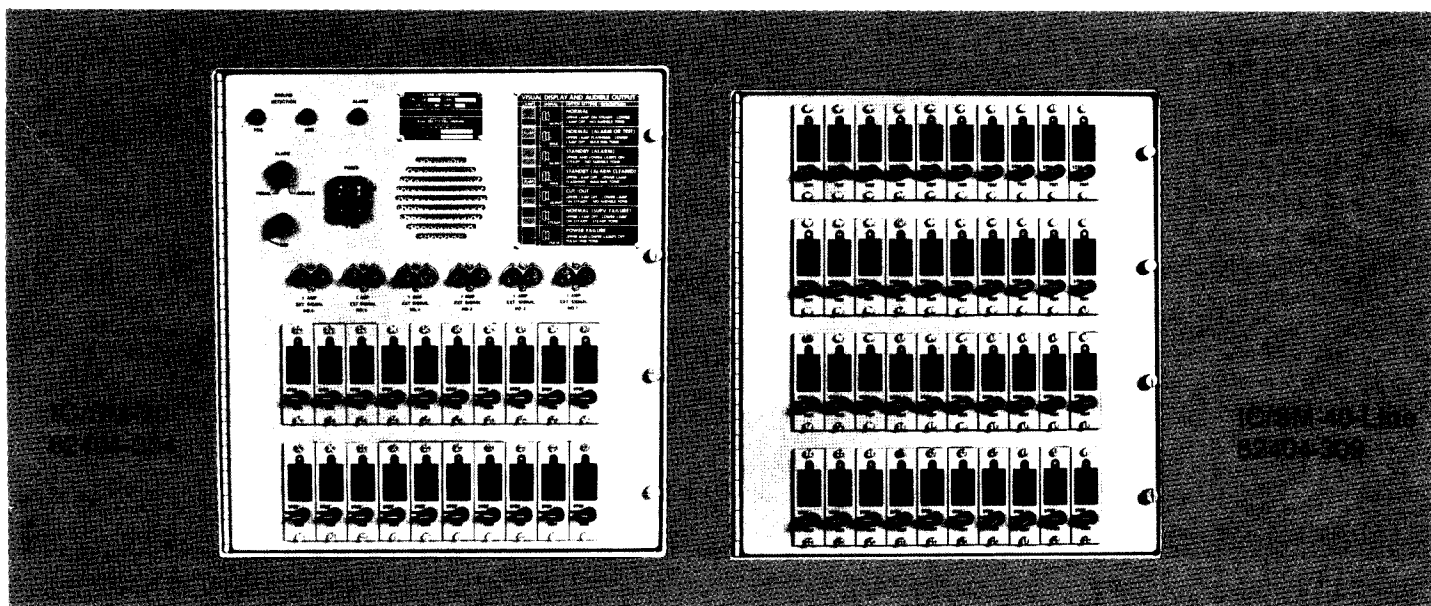
SE178-AN-MMM-010/12763

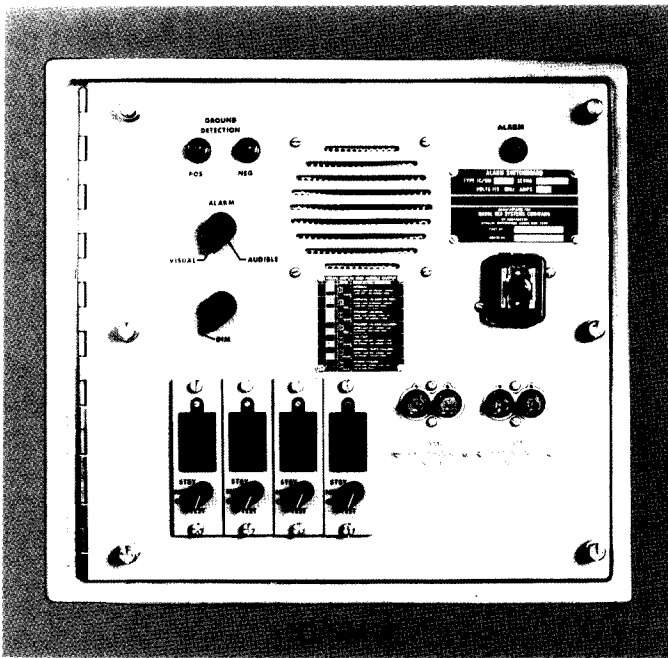
DYNALEC PART

62404-200

62404-300 THROUGH 62404-308

- A supervisory condition alarm sounds if the lines connecting the alarm switchboard to the remote equipment are disconnected or open.
- An external loudspeaker may be connected to provide the same alarm or supervisory audible tone at a remote location.
- System includes a NiCad battery-powered alarm to indicate that ship's power supply to the switchboard has been interrupted.
- Equipment is housed in non-magnetic aluminum cabinets. IC/SM-4 through IC/SM-50 are housed in single cabinets. Larger capacities require an annex cabinet.





VISUAL DISPLAY AND AUDIBLE OUTPUT		
LAMPS	SIGNAL	SWITCH SETTING—DESCRIPTION
	SILENT	NORMAL UPPER LAMP ON STEADY; LOWER LAMP OFF; NO AUDIBLE TONE.
	WAIL	NORMAL (ALARM OR TEST) UPPER LAMP FLASHING; LOWER LAMP OFF; WAILING TONE.
	SILENT	STANDBY (ALARM) UPPER AND LOWER LAMPS ON STEADY; NO AUDIBLE TONE.
	WAIL	STANDBY (ALARM CLEARED) UPPER LAMP OFF; LOWER LAMP FLASHING; WAILING TONE.
	SILENT	CUT-OUT UPPER LAMP OFF; LOWER LAMP ON STEADY; NO AUDIBLE TONE.
	STEADY	NORMAL (SUPV FAILURE) UPPER LAMP OFF; LOWER LAMP ON STEADY; STEADY TONE.
	PULSE	POWER FAILURE UPPER AND LOWER LAMPS OFF; PULSATING TONE.

Steady and flashing displays on the module lamps, with audible common alarm signals, indicate the status of each remote sensor.

PHYSICAL CHARACTERISTICS

	Unit Dynalec Part	Dimensions (inches)			Weight	Shipping Wt.
		Height	Width	Depth		
	IC/SM-4 62404-200	14.00"(35.6cm)	15.00"(38.1cm)	9.38"(23.8cm)	25 lbs.(11.4kg)	30 lbs.(13.6kg)
BASIC CABINET	IC/SM-10 62404-304	15.00"(38.1 cm)	18.00"(45.7cm)	9.62"(24.4cm)	37 lbs.(16.8kg)	65 lbs.(29.5kg)
	IC/SM-20 62404-305	19.75"(50.2cm)	18.00"(45.7cm)	9.62"(24.4cm)	51 lbs.(23.2kg)	80 lbs.(36.4kg)
	IC/SM-30 62404-306	24.50"(62.2cm)	18.00"(45.7cm)	9.62"(24.4cm)	65 lbs.(29.5kg)	95 lbs.(43.2kg)
	IC/SM-40 62404-307	29.25"(74.3cm)	18.00"(45.7cm)	9.62"(24.4cm)	79 lbs.(35.9kg)	115 lbs.(52.3kg)
	IC/SM-50 62404-308	34.00"(86.4cm)	18.00"(45.7cm)	9.62"(24.4cm)	93 lbs.(42.3kg)	135 lbs.(61.4kg)
ANNEX CABINET	IC/SM-40-Line 62404-309	19.74"(50.2cm)	18.00"(45.7cm)	9.62"(24.4cm)		
	IC/SM-50-Line 62404-310	24.50"(62.2cm)	18.00"(45.7cm)	9.62"(24.4cm)		
	IC/SM-60-Line 62404-311	29.25"(74.3cm)	18.00"(45.7cm)	9.62"(24.4cm)		
	IC/SM-70-Line 62404-312	34.00"(86.4cm)	18.00"(45.7cm)	9.62"(24.4cm)		
ASSEMBLY	IC/SM-60 62404-300	23.25"(59.1cm)	36.00"(91.4cm)	10.88"(27.6cm)		
	IC/SM-80 62404-301	28.00"(71.1cm)	36.00"(91.4 cm)	10.88"(27.6cm)		
	IC/SM-100 62404-302	32.75"(83.2cm)	36.00"(91.4cm)	10.88"(27.6cm)		
	IC/SM-120 62404-303	37.50"(95.2cm)	36.00"(91.4cm)	10.88"(27.6cm)		

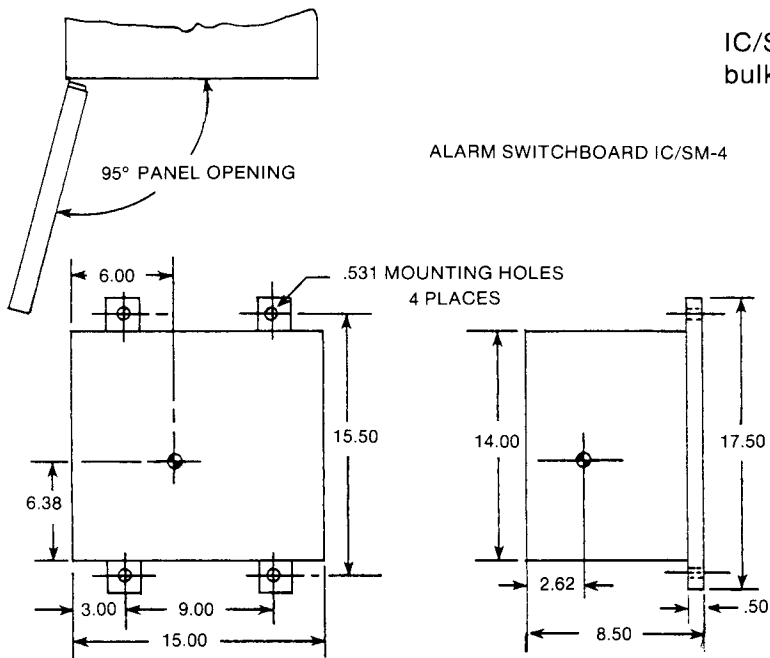
DYNALEC PART

EQUIPMENT	IC/SM	BASIC CABINET	ANNEX CABINET
IC/SM-4	62404-200		
IC/SM-10	62404-304		
IC/SM-20	62404-305		
IC/SM-30	62404-306		
IC/SM-40	62404-307		
IC/SM-50	62404-308		
IC/SM-60	62404-300	62404-305 (20)	62404-309 (40)
IC/SM-80	62404-301	62404-306 (30)	62404-310 (50)
IC/SM-100	62404-302	62404-307 (40)	62404-311 (60)
IC/SM-120	62404-303	62404-308 (50)	62404-312 (70)

DESIGN CHARACTERISTICS

CHARACTERISTIC	SPECIFICATION
IC/SM-4: Power Requirements (operating) Heat Dissipation	25W at 115 +6Vac, 60 +3Hz, total 85 BTU/HR total
IC/SM SERIES 10-120 LINES: Power Requirements (operating) Heat Dissipation	50W per 10 lines at 115 +Vac, 60 +Hz plus 115 volt-amperes per signal extension circuit 170 BTU/HR per 10 lines
Operating Temperature Range	+40° F to +149° F
Humidity Limit	95% R.H
Extended Storage Temperature Range	-40° F to +167° F

MOUNTING INFORMATION

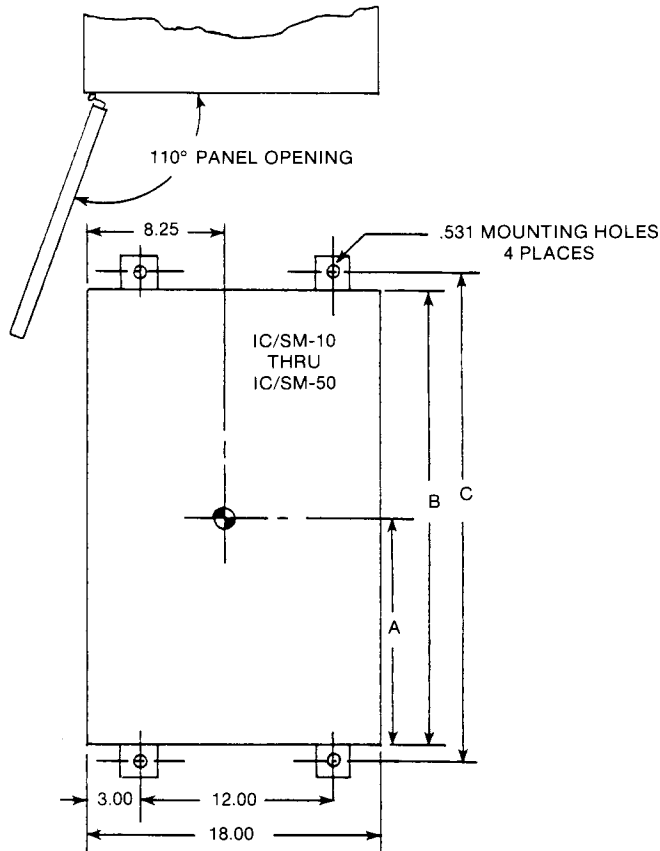


IC/SM-4 through IC/SM-50 are supplied with rails for bulkhead mounting.

NOTES:

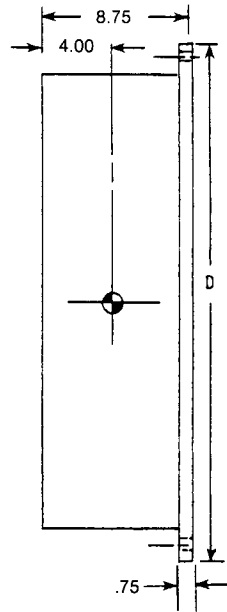
- 1 ALL DIMENSIONS ARE IN INCHES.
- 2 DENOTES CENTER OF GRAVITY.

MOUNTING INFORMATION



ALARM SWITCHBOARD IC/SM-10 THROUGH IC/SM-50

SWITCHBOARD SIZE	MOUNTING DIMENSIONS			
	A	B	C	D
IC/SM-10	6.50	15.00	17.00	19.00
IC/SM-20	8.50	19.75	21.75	23.75
IC/SM-30	11.00	24.50	26.50	28.50
IC/SM-40	13.50	29.25	31.25	33.25
IC/SM-50	16.00	34.00	36.00	38.00

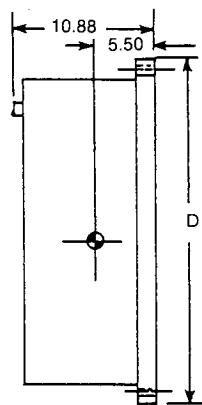
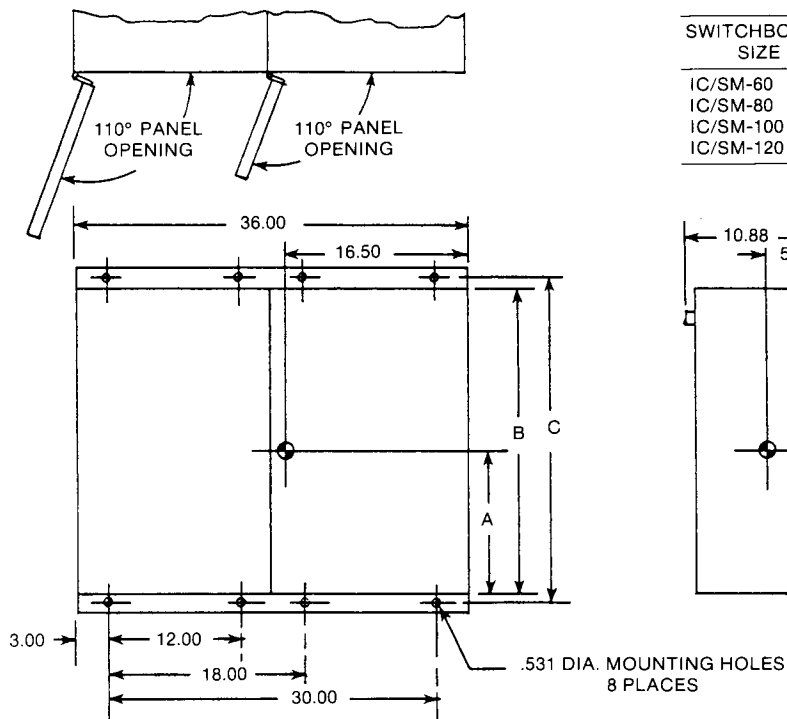


KEY:

- A = TO CENTER OF GRAVITY.
- B = HEIGHT OF CABINET.
- C = DISTANCE BETWEEN RAIL MOUNTING HOLES.
- D = OVERALL HEIGHT

ALARM SWITCHBOARD IC/SM-60 THROUGH IC/SM-120

SWITCHBOARD SIZE	MOUNTING DIMENSIONS			
	A	B	C	D
IC/SM-60	8.50	19.75	21.75	23.25
IC/SM-80	11.12	24.50	26.50	28.00
IC/SM-100	12.50	29.25	31.25	32.75
IC/SM-120	16.75	34.00	36.00	37.50



NOTES:

- 1 ALL DIMENSIONS ARE IN INCHES.
- 2 DENOTES CENTER OF GRAVITY.

IC/SM-60 through IC/SM-120 are factory-mounted side-by-side on a frame for bulkhead mounting.